

## DC-OM-NEVA

MEAT / DELI / CHEESE / SALAD CASES

### Remote Deli Case Combined Serve + Self-Serve

#### Standard features

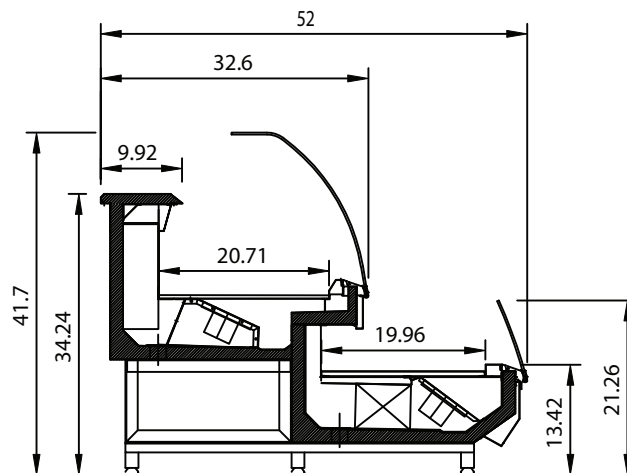
- Remote Refrigeration
- Stainless Steel interiors for both serve-over and self service
- Thermostat Electronic Control
- Double Glazed Side Wall Right/Left
- LED Lights
- Externally Equalized TXV
- Black or White Painted Outside
- Wellington ERC2 Electronic Fan Motor
- Stainless Steel Bottom Floor and Fan Cover
- Electrostatic Powdered Paint For Exterior



#### Dimensions

Depth (52")	DC-OM-NEVA6	DC-OM-NEVA8	DC-OM-NEVA12
Length (inches)	74"	98"	148"
Depth (inches)	52"	52"	52"
Amperage	6A	8A	12A
Power	220V 1PH 60HZ	220V 1PH 60HZ	220V 1PH 60HZ
Evaporating Temp	-10C	-10C	-10C
BTU/H	4478	5971	8957

#### Technical Drawings



\* All measurements are approximates; \* Specifications are subject to change without notice; \* All equipment are designed to operate in a controlled environment below 75°F (+24°C) temperature and HR 55% relative humidity;